

13 SEER HEAT PUMPS

Features

- Efficiencies up to 14 SEER/8.2 HSPF
- Coils constructed with copper tubing and enhanced aluminum fins.
- Strong, attractive cabinet—louvered design protects the coil from damage.
- Expansion Valves with Internal Check Valve—Provides for quieter refrigerant metering.
- Demand Defrost Control
- Non-Cycling Reversing Valve
- Hot Gas Muffler
- Service Valves
- Grille/motor mount for quiet fan operation.
- Easily accessible control box.
- Certified and rated under A.R.I. Standard 240.
- U.L listed.
- Scroll Compressor

Accessories/Options

- Low Ambient Control (Model No. RXPZ-C01)
- Outdoor Thermostats (Model No. RXPT-A01, A02, A03 or A04)
- Heat Pump Monitor (Model No. RXPM-B01)
- Thermostats and Subbases (Available through the PROSTOCK® department)
- Compressor Time Delay Control (Model No. RXMD-B01)
- Blower Time Delay Control (Model No. RXMD-C04)
RXMD-C04 is not required if the outdoor unit is matched with a Thermal Zone® furnace or air handler, or if the furnace or air handler used has a blower off time delay built-in.
- Sound Enclosure*
- High Pressure Control (Model No. RXAB-A03)
- Bi-Directional Filter Drier*
- Start Components*

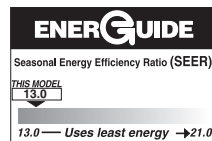
*Available through the PROSTOCK® department.

Applications

Thermal Zone® remote heat pumps offer comfort and dependability for single, multi-family and light commercial applications.

TZPA SERIES

Manufactured for
Thermal Zone®
Philadelphia, PA



Model Identification Number

TZ	P	A	3	18	2	A
THERMAL ZONE®	P = HEAT PUMP	A = R-22	3 = 13 SEER	NOMINAL COOLING CAPACITY	2 = 208/230V - 1 PH - 60 Hz C = 200/230V - 3 PH - 60 Hz D = 460V - 5 PH - 60 Hz Y = 575V - 5 PH - 60 Hz	DESIGN SERIES
				18 = 18,000 BTU/HR [5.28 kW] 24 = 24,000 BTU/HR [7.03 kW] 30 = 30,000 BTU/HR [8.79 kW] 36 = 36,000 BTU/HR [10.55 kW] 42 = 42,000 BTU/HR [12.31 kW] 48 = 48,000 BTU/HR [14.07 kW] 60 = 60,000 BTU/HR [17.58 kW]		

Performance Data ARI Standard Conditions: Single Phase

Note: Only these combinations of indoor/outdoor units are approved and any other combinations should not be used.

Model Numbers		ARI Cooling Performance							ARI Htg. Performance (70°F [21.0°C] Indoor)				
		80°F [26.5°C] DB/67°F [19.5°C] WB Indoor Air 95°F [35.0°C] DB Outdoor Air							Outdoor Air 47°F DB/43°F WB [8.5°C/6.0°C] DOE High Temp.		Outdoor Air 17°F DB/15°F WB [-8.5°C/-9.5°C] DOE Low Temp.		DOE Region IV HSPF
Outdoor Unit TZPA	Indoor Coil and/or Air Handler	Total Capacity BTU/H [kW]	Net Sens. BTU/H [kW]	Net Latent BTU/H [kW]	EER	SEER	Snd. Rate dB	Indoor CFM [L/s]	BTU/H [kW]	COP	BTU/H [kW]	COP	
18	TZHSA-1817 (RCSA-H*2417A*) ①	18,000 [5.3]	13,100 [3.8]	4,900 [1.4]	11.90	13.00	76	600 [283]	15,900 [4.7]	3.46	8,500 [2.5]	2.26	7.70
	TCFA-H*2414A*	17,600 [5.2]	12,550 [3.7]	5,050 [1.5]	11.70	13.00	76	550 [260]	15,900 [4.7]	3.38	8,800 [2.6]	2.12	7.70
	TCFA-H*2417A*	17,600 [5.2]	12,550 [3.7]	5,050 [1.5]	11.70	13.00	76	550 [260]	15,900 [4.7]	3.38	8,800 [2.6]	2.12	7.70
	TZHLA-2417 (RCSA-H*2417A*)	18,300 [5.4]	13,300 [3.9]	5,000 [1.5]	12.95	14.00	76	600 [283]	15,300 [4.5]	3.66	8,100 [2.4]	2.26	8.20
	TZHKA-2417 (RCSA-H*2417A*)	18,300 [5.4]	13,300 [3.9]	5,000 [1.5]	12.95	14.00	76	570 [269]	15,300 [4.5]	3.66	8,100 [2.4]	2.26	8.20
24	TZHSA-2417 (RCSA-H*2417A*) ①	23,800 [7.0]	17,300 [5.1]	6,500 [1.9]	12.00	13.00	74	800 [378]	20,800 [6.1]	3.40	11,000 [3.2]	2.06	7.70
	TCFA-H*2414A*	23,600 [6.9]	17,100 [5.0]	6,500 [1.9]	11.55	13.00	74	800 [378]	21,000 [6.2]	3.36	11,100 [3.3]	2.14	7.70
	TCFA-H*2417A*	23,600 [6.9]	17,100 [5.0]	6,500 [1.9]	11.55	13.00	74	800 [378]	21,000 [6.2]	3.36	11,100 [3.3]	2.14	7.70
	TZHLA-2417 (RCSA-H*2417A*)	24,200 [7.1]	17,650 [5.2]	6,550 [1.9]	13.25	14.00	74	775 [366]	20,200 [5.9]	3.64	10,400 [3.0]	2.30	8.20
	TZHKA-2417 (RCSA-H*2417A*)	24,200 [7.1]	17,650 [5.2]	6,550 [1.9]	13.25	14.00	74	750 [354]	20,200 [5.9]	3.64	10,400 [3.0]	2.30	8.20
30	TZHSA-3017 (RCSA-H*3617A*) ①	28,600 [8.4]	21,200 [6.2]	7,400 [2.2]	11.70	13.00	73	1,000 [472]	27,600 [8.1]	3.60	15,700 [4.6]	2.44	7.70
	TCFA-H*3617A*	28,400 [8.3]	21,000 [6.2]	7,400 [2.2]	11.25	13.00	73	1,000 [472]	27,800 [8.1]	3.52	16,200 [4.7]	2.36	7.70
	TCFA-H*3621A*	28,400 [8.3]	21,000 [6.2]	7,400 [2.2]	11.25	13.00	73	1,000 [472]	27,800 [8.1]	3.52	16,200 [4.7]	2.36	7.70
	TZHLA-3617 (RCSA-H*3617A*)	29,000 [8.5]	21,600 [6.3]	7,400 [2.2]	12.40	14.00	73	1,000 [472]	28,200 [8.3]	3.76	14,900 [4.4]	2.52	8.20
	TZHKA-3617 (RCSA-H*3617A*)	29,000 [8.5]	21,500 [6.3]	7,500 [2.2]	12.45	14.00	73	1,020 [481]	27,200 [8.0]	3.74	15,500 [4.5]	2.50	8.20
36	TZHSA-3617 (RCSA-H*3617A*) ①	35,400 [10.4]	25,900 [7.6]	9,500 [2.8]	11.55	13.00	75	1,200 [566]	36,600 [10.7]	3.50	21,200 [6.2]	2.44	7.70
	TCFA-H*3617A*	35,400 [10.4]	25,900 [7.6]	9,500 [2.8]	11.35	13.00	75	1,200 [566]	36,600 [10.7]	3.50	21,200 [6.2]	2.44	7.70
	TCFA-H*3621A*	35,400 [10.4]	25,900 [7.6]	9,500 [2.8]	11.35	13.00	75	1,200 [566]	36,600 [10.7]	3.50	21,200 [6.2]	2.44	7.70
	TZHLA-3617 (RCSA-H*3617A*)	36,000 [10.5]	26,400 [7.7]	9,600 [2.8]	12.20	14.00	75	1,200 [566]	35,400 [10.4]	3.64	20,400 [6.0]	2.56	8.20
	TZHKA-3617 (RCSA-H*3617A*)	36,000 [10.5]	26,400 [7.7]	9,600 [2.8]	12.05	13.95	75	1,225 [578]	35,400 [10.4]	3.62	21,400 [6.3]	2.56	8.20

① Highest sales volume tested combination required by D.O.E. test procedures.

[] Designates Metric Conversions

Performance Data ARI Standard Conditions: Single Phase (cont.)

Note: Only these combinations of indoor/outdoor units are approved and any other combinations should not be used.

Model Numbers		ARI Cooling Performance							ARI Htg. Performance (70°F [21.0°C] Indoor)				DOE Region IV HSPF
		80°F [26.5°C] DB/67°F [19.5°C] WB Indoor Air 95°F [35.0°C] DB Outdoor Air							Outdoor Air 47°F DB/43°F WB [8.5°C/6.0°C] DOE High Temp.		Outdoor Air 17°F DB/15°F WB [-8.5°C/-9.5°C] DOE Low Temp.		
Outdoor Unit TZPA	Indoor Coil and/or Air Handler	Total Capacity BTU/H [kW]	Net Sens. BTU/H [kW]	Net Latent BTU/H [kW]	EER	SEER	Snd. Rate dB	Indoor CFM [L/s]	BTU/H [kW]	COP	BTU/H [kW]	COP	
42	TZHSA-4221 (RCSA-H*4821A*) ①	41,000 [12.0]	29,700 [8.7]	11,300 [3.3]	11.20	13.00	77	1,400 [661]	40,000 [11.7]	3.52	23,800 [7.0]	2.24	7.70
	TCFA-H*4821A*	41,000 [12.0]	29,700 [8.7]	11,300 [3.3]	11.30	13.00	77	1,400 [661]	40,000 [11.7]	3.54	23,800 [7.0]	2.28	7.70
	TCFA-H*4824A*	41,000 [12.0]	29,700 [8.7]	11,300 [3.3]	11.30	13.00	77	1,400 [661]	40,000 [11.7]	3.54	23,800 [7.0]	2.28	7.70
	TZHLA-4821 (RCSA-H*4821A*)	41,500 [12.2]	30,150 [8.8]	11,350 [3.3]	12.20	14.00	77	1,400 [661]	39,000 [11.4]	3.72	23,000 [6.7]	2.38	8.20
	TZHKA-4821 (RCSA-H*4821A*)	41,500 [12.2]	30,100 [8.8]	11,400 [3.3]	12.15	14.35	77	1,400 [661]	39,000 [11.4]	3.72	23,000 [6.7]	2.38	8.20
48	TZHLA-4821 (RCSA-H*4821A*) ①	47,500 [13.9]	34,850 [10.2]	12,650 [3.7]	11.50	13.00	77	1,525 [720]	44,500 [13.0]	3.56	28,000 [8.2]	2.50	7.70
	TZHKA-4821 (RCSA-H*4821A*)	48,000 [14.1]	35,100 [10.3]	12,900 [3.8]	11.30	13.10	77	1,575 [743]	44,000 [12.9]	3.48	28,200 [8.3]	2.46	7.70
	TZHLA-4824 (RCSA-H*4824A*)	48,000 [14.1]	35,250 [10.3]	12,750 [3.7]	11.65	13.50	77	1,625 [767]	44,500 [13.0]	3.58	28,000 [8.2]	2.50	7.70
60	TZHLA-6024 (RCSA-H*6024A*) ①	58,000 [17.0]	41,900 [12.3]	16,100 [4.7]	11.75	13.00	77	1,825 [861]	55,000 [16.1]	3.82	31,000 [9.1]	2.52	7.70
	TCFA-H*6024A*	57,000 [16.7]	40,900 [12.0]	16,100 [4.7]	11.20	13.00	77	1,825 [861]	55,500 [16.3]	3.68	31,800 [9.3]	2.34	7.70
	TZHKA-6024 (RCSA-H*6024A*)	58,500 [17.1]	42,250 [12.4]	16,250 [4.8]	11.90	13.00	77	1,800 [849]	53,000 [15.5]	4.10	32,000 [9.4]	2.82	7.70

① Highest sales volume tested combination required by D.O.E. test procedures.

Performance Data ARI Standard Conditions: Three Phase

Note: Only these combinations of indoor/outdoor units are approved and any other combinations should not be used.

Model Numbers		ARI Cooling Performance							ARI Htg. Performance (70°F [21.0°C] Indoor)				DOE Region IV HSPF
		80°F [26.5°C] DB/67°F [19.5°C] WB Indoor Air 95°F [35.0°C] DB Outdoor Air							Outdoor Air 47°F DB/43°F WB [8.5°C/6.0°C] DOE High Temp.		Outdoor Air 17°F DB/15°F WB [-8.5°C/-9.5°C] DOE Low Temp.		
Outdoor Unit TZPA	Indoor Coil and/or Air Handler	Total Capacity BTU/H [kW]	Net Sens. BTU/H [kW]	Net Latent BTU/H [kW]	EER	SEER	Snd. Rate dB	Indoor CFM [L/s]	BTU/H [kW]	COP	BTU/H [kW]	COP	
36-CA	TZHSA-3617 (RCSA-H*3617A*) ①	35,400 [10.4]	25,900 [7.6]	9,500 [2.8]	11.55	13.00	76	1,200 [566]	36,600 [10.7]	3.50	21,200 [6.2]	2.44	7.70
	TCFA-H*3617A*	35,400 [10.4]	25,900 [7.6]	9,500 [2.8]	11.35	13.00	76	1,200 [566]	36,600 [10.7]	3.50	21,200 [6.2]	2.44	7.70
	TCFA-H*3621A*	35,400 [10.4]	25,900 [7.6]	9,500 [2.8]	11.35	13.00	76	1,200 [566]	36,600 [10.7]	3.50	21,200 [6.2]	2.44	7.70
	TZHLA-3617 (RCSA-H*3617A*)	36,000 [10.5]	26,400 [7.7]	9,600 [2.8]	12.20	14.00	76	1,200 [566]	35,400 [10.4]	3.64	20,400 [6.0]	2.56	8.20
	TZHKA-3617 (RCSA-H*3617A*)	36,000 [10.5]	26,400 [7.7]	9,600 [2.8]	12.05	14.00	76	1,225 [578]	35,400 [10.4]	3.62	21,400 [6.3]	2.56	8.20
36-DA	TZHSA-3617 (RCSA-H*3617A*) ①	35,400 [10.4]	25,900 [7.6]	9,500 [2.8]	11.55	13.00	75	1,200 [566]	36,600 [10.7]	3.50	21,200 [6.2]	2.44	7.70
	TCFA-H*3617A*	35,400 [10.4]	25,900 [7.6]	9,500 [2.8]	11.35	13.00	75	1,200 [566]	36,600 [10.7]	3.50	21,200 [6.2]	2.44	7.70
	TCFA-H*3621A*	35,400 [10.4]	25,900 [7.6]	9,500 [2.8]	11.35	13.00	75	1,200 [566]	36,600 [10.7]	3.50	21,200 [6.2]	2.44	7.70
	TZHLA-3617 (RCSA-H*3617A*)	36,000 [10.5]	26,400 [7.7]	9,600 [2.8]	12.20	14.00	75	1,200 [566]	35,400 [10.4]	3.64	20,400 [6.0]	2.56	8.20
	TZHKA-3617 (RCSA-H*3617A*)	36,000 [10.5]	26,400 [7.7]	9,600 [2.8]	12.05	14.00	75	1,225 [578]	35,400 [10.4]	3.62	21,400 [6.3]	2.56	8.20

① Highest sales volume tested combination required by D.O.E. test procedures.

[] Designates Metric Conversions

Performance Data ARI Standard Conditions: Three Phase (cont.)

Note: Only these combinations of indoor/outdoor units are approved and any other combinations should not be used.

Model Numbers		ARI Cooling Performance							ARI Htg. Performance (70°F [21.0°C] Indoor)				
		80°F [26.5°C] DB/67°F [19.5°C] WB Indoor Air 95°F [35.0°C] DB Outdoor Air							Outdoor Air 47°F DB/43°F WB [8.5°C/6.0°C] DOE High Temp.		Outdoor Air 17°F DB/15°F WB [-8.5°C/-9.5°C] DOE Low Temp.		DOE Region IV HSPF
Outdoor Unit TZPA	Indoor Coil and/or Air Handler	Total Capacity BTU/H [kW]	Net Sens. BTU/H [kW]	Net Latent BTU/H [kW]	EER	SEER	Snd. Rate dB	Indoor CFM [L/s]	BTU/H [kW]	COP	BTU/H [kW]	COP	
42-CA	TZHSA-4221 (RCSA-H*4821A*) ①	41,000 [12.0]	29,700 [8.7]	11,300 [3.3]	11.20	13.00	77	1,400 [661]	40,000 [11.7]	3.52	23,800 [7.0]	2.24	7.70
	TCFA-H*4821A*	41,000 [12.0]	29,700 [8.7]	11,300 [3.3]	11.30	13.00	77	1,400 [661]	40,000 [11.7]	3.54	23,800 [7.0]	2.28	7.70
	TCFA-H*4824A*	41,000 [12.0]	29,700 [8.7]	11,300 [3.3]	11.30	13.00	77	1,400 [661]	40,000 [11.7]	3.54	23,800 [7.0]	2.28	7.70
	TZHLA-4821 (RCSA-H*4821A*)	41,500 [12.2]	30,150 [8.8]	11,350 [3.3]	12.20	14.00	77	1,400 [661]	39,000 [11.4]	3.72	23,000 [6.7]	2.38	8.20
	TZHKA-4821 (RCSA-H*4821A*)	41,500 [12.2]	30,100 [8.8]	11,400 [3.3]	12.15	14.00	77	1,400 [661]	39,000 [11.4]	3.72	23,000 [6.7]	2.38	8.20
42-DA	TZHSA-4221 (RCSA-H*4821A*) ①	41,000 [12.0]	29,700 [8.7]	11,300 [3.3]	11.20	13.00	77	1,400 [661]	40,000 [11.7]	3.52	23,800 [7.0]	2.24	7.70
	TCFA-H*4821A*	41,000 [12.0]	29,700 [8.7]	11,300 [3.3]	11.30	13.00	77	1,400 [661]	40,000 [11.7]	3.54	23,800 [7.0]	2.28	7.70
	TCFA-H*4824A*	41,000 [12.0]	29,700 [8.7]	11,300 [3.3]	11.30	13.00	77	1,400 [661]	40,000 [11.7]	3.54	23,800 [7.0]	2.28	7.70
	TZHLA-4821 (RCSA-H*4821A*)	41,500 [12.2]	30,150 [8.8]	11,350 [3.3]	12.20	14.00	77	1,400 [661]	39,000 [11.4]	3.72	23,000 [6.7]	2.38	8.20
	TZHKA-4821 (RCSA-H*4821A*)	41,500 [12.2]	30,100 [8.8]	11,400 [3.3]	12.15	14.00	77	1,400 [661]	39,000 [11.4]	3.72	23,000 [6.7]	2.38	8.20
48-CA	TZHLA-4821 (RCSA-H*4821A*) ①	48,000 [14.1]	35,100 [10.3]	12,900 [3.8]	11.55	13.00	77	1,525 [720]	44,000 [12.9]	3.56	28,000 [8.2]	2.50	7.70
	TCFA-H*4821A*	47,500 [13.9]	34,600 [10.1]	12,900 [3.8]	10.85	12.00	77	1,525 [720]	44,500 [13.0]	3.40	28,800 [8.4]	2.40	7.70
	TCFA-H*4824A*	47,500 [13.9]	34,600 [10.1]	12,900 [3.8]	10.85	12.00	77	1,525 [720]	44,500 [13.0]	3.40	28,800 [8.4]	2.40	7.70
	TZHSA-4821 (RCSA-H*4821A*)	47,500 [13.9]	34,700 [10.2]	12,800 [3.8]	11.00	12.00	77	1,500 [708]	44,500 [13.0]	3.40	28,600 [8.4]	2.42	7.70
	TZHKA-4821 (RCSA-H*4821A*)	48,000 [14.1]	35,100 [10.3]	12,900 [3.8]	11.30	13.00	77	1,575 [743]	44,000 [12.9]	3.48	28,200 [8.3]	2.46	7.70
	TZHLA-4824 (RCSA-H*4824A*)	48,000 [14.1]	35,250 [10.3]	12,750 [3.7]	11.65	13.50	77	1,625 [767]	44,500 [13.0]	3.58	28,000 [8.2]	2.50	7.70
	TZHSA-4824 (RCSA-H*4824A*)	47,500 [13.9]	34,700 [10.2]	12,800 [3.8]	11.00	12.00	77	1,500 [708]	44,500 [13.0]	3.40	28,600 [8.4]	2.42	7.70
48-DA	TZHLA-4821 (RCSA-H*4821A*) ①	48,000 [14.1]	35,100 [10.3]	12,900 [3.8]	11.55	13.00	77	1,525 [720]	44,000 [12.9]	3.56	28,000 [8.2]	2.50	7.70
	TCFA-H*4821A*	47,500 [13.9]	34,600 [10.1]	12,900 [3.8]	10.85	12.00	77	1,525 [720]	44,500 [13.0]	3.40	28,800 [8.4]	2.40	7.70
	TCFA-H*4824A*	47,500 [13.9]	34,600 [10.1]	12,900 [3.8]	10.85	12.00	77	1,525 [720]	44,500 [13.0]	3.40	28,800 [8.4]	2.40	7.70
	TZHSA-4821 (RCSA-H*4821A*)	47,500 [13.9]	34,700 [10.2]	12,800 [3.8]	11.00	12.00	77	1,500 [708]	44,500 [13.0]	3.40	28,600 [8.4]	2.42	7.70
	TZHKA-4821 (RCSA-H*4821A*)	48,000 [14.1]	35,100 [10.3]	12,900 [3.8]	11.30	13.00	77	1,575 [743]	44,000 [12.9]	3.48	28,200 [8.3]	2.46	7.70
	TZHLA-4824 (RCSA-H*4824A*)	48,000 [14.1]	35,250 [10.3]	12,750 [3.7]	11.65	13.50	77	1,625 [767]	44,500 [13.0]	3.58	28,000 [8.2]	2.50	7.70
	TZHSA-4824 (RCSA-H*4824A*)	47,500 [13.9]	34,700 [10.2]	12,800 [3.8]	11.00	12.00	77	1,500 [708]	44,500 [13.0]	3.40	28,600 [8.4]	2.42	7.70
48-YA	TZHLA-4821 (RCSA-H*4821A*) ①	48,000 [14.1]	35,100 [10.3]	12,900 [3.8]	11.55	13.00	77	1,525 [720]	44,000 [12.9]	3.56	28,000 [8.2]	2.50	7.70
	TCFA-H*4821A*	47,500 [13.9]	34,600 [10.1]	12,900 [3.8]	10.85	12.00	77	1,525 [720]	44,500 [13.0]	3.40	28,800 [8.4]	2.40	7.70
	TCFA-H*4824A*	47,500 [13.9]	34,600 [10.1]	12,900 [3.8]	10.85	12.00	77	1,525 [720]	44,500 [13.0]	3.40	28,800 [8.4]	2.40	7.70
	TZHSA-4821 (RCSA-H*4821A*)	47,500 [13.9]	34,700 [10.2]	12,800 [3.8]	11.00	12.00	77	1,500 [708]	44,500 [13.0]	3.40	28,600 [8.4]	2.42	7.70
	TZHKA-4821 (RCSA-H*4821A*)	48,000 [14.1]	35,100 [10.3]	12,900 [3.8]	11.30	13.00	77	1,575 [743]	44,000 [12.9]	3.48	28,200 [8.3]	2.46	7.70

① Highest sales volume tested combination required by D.O.E. test procedures.

[] Designates Metric Conversions

Performance Data ARI Standard Conditions: Three Phase (cont.)

Note: Only these combinations of indoor/outdoor units are approved and any other combinations should not be used.

Model Numbers		ARI Cooling Performance							ARI Htg. Performance (70°F [21.0°C] Indoor)				
		80°F [26.5°C] DB/67°F [19.5°C] WB Indoor Air 95°F [35.0°C] DB Outdoor Air							Outdoor Air 47°F DB/43°F WB [8.5°C/6.0°C] DOE High Temp.		Outdoor Air 17°F DB/15°F WB [-8.5°C/-9.5°C] DOE Low Temp.		DOE Region IV HSPF
Outdoor Unit TZPA	Indoor Coil and/or Air Handler	Total Capacity BTU/H [kW]	Net Sens. BTU/H [kW]	Net Latent BTU/H [kW]	EER	SEER	Snd. Rate dB	Indoor CFM [L/s]	BTU/H [kW]	COP	BTU/H [kW]	COP	
48-YA	TZHLA-4824 (RCSA-H*4824A*)	48,000 [14.1]	35,250 [10.3]	12,750 [3.7]	11.65	13.50	77	1,625 [767]	44,500 [13.0]	3.58	28,000 [8.2]	2.50	7.70
	TZHSA-4824 (RCSA-H*4824A*)	47,500 [13.9]	34,700 [10.2]	12,800 [3.8]	11.00	12.00	77	1,500 [708]	44,500 [13.0]	3.40	28,600 [8.4]	2.42	7.70
60CA	TZHLA-6024 (RCSA-H*6024A*) ①	58,500 [17.1]	42,300 [12.4]	16,200 [4.7]	11.80	13.00	77	1,825 [861]	54,500 [16.0]	3.76	33,600 [9.8]	2.60	7.70
	TCFA-H*6024A*	57,000 [16.7]	40,900 [12.0]	16,100 [4.7]	11.20	13.00	77	1,825 [861]	55,500 [16.3]	3.68	31,800 [9.3]	2.34	7.70
	TZHKA-6024 (RCSA-H*6024A*)	58,500 [17.1]	42,250 [12.4]	16,250 [4.8]	11.90	13.00	77	1,800 [849]	53,000 [15.5]	4.10	32,000 [9.4]	2.82	7.70
60-DA	TZHLA-6024 (RCSA-H*6024A*) ①	58,500 [17.1]	42,300 [12.4]	16,200 [4.7]	11.80	13.00	77	1,825 [861]	54,500 [16.0]	3.76	33,600 [9.8]	2.60	7.70
	TCFA-H*6024A*	57,000 [16.7]	40,900 [12.0]	16,100 [4.7]	11.20	13.00	77	1,825 [861]	55,500 [16.3]	3.68	31,800 [9.3]	2.34	7.70
	TZHKA-6024 (RCSA-H*6024A*)	58,500 [17.1]	42,250 [12.4]	16,250 [4.8]	11.90	13.00	77	1,800 [849]	53,000 [15.5]	4.10	32,000 [9.4]	2.82	7.70
60-YA	TZHLA-6024 (RCSA-H*6024A*) ①	58,500 [17.1]	42,300 [12.4]	16,200 [4.7]	11.80	13.00	77	1,825 [861]	54,500 [16.0]	3.76	33,600 [9.8]	2.60	7.70
	TCFA-H*6024A*	57,000 [16.7]	40,900 [12.0]	16,100 [4.7]	11.20	13.00	77	1,825 [861]	55,500 [16.3]	3.68	31,800 [9.3]	2.34	7.70
	TZHKA-6024 (RCSA-H*6024A*)	58,500 [17.1]	42,250 [12.4]	16,250 [4.8]	11.90	13.00	77	1,800 [849]	53,000 [15.5]	4.10	32,000 [9.4]	2.82	7.70

① Highest sales volume tested combination required by D.O.E. test procedures.

Electrical and Physical Data: Single Phase

Model Number TZPA	ELECTRICAL							PHYSICAL						
	Phase Frequency (Hz) Voltage (Volts)	Compressor		Fan Motor Full Load Amperes (FLA)	Minimum Circuit Ampacity Amperes	Fuse or HACR Circuit Breaker		Outdoor Coil			Refrig. Per Circuit Oz. [g]	Weight		
		Rated Load Amperes (RLA)	Locked Rotor Amperes (LRA)			Minimum Amperes	Maximum Amperes	Face Area① Sq. Ft. [m²]	No. Rows	CFM [L/s]		Net Lbs. [kg]	Shipping Lbs. [kg]	
18	1-60-208/230	9/9	41	0.6	12/12	15/15	20/20	11.06 [1.03]	1	1700 [802]	81 [2296]	142 [64.4]	150 [68.0]	
24	1-60-208/230	14.1/14.1	54	0.8	19/19	25/25	30/30	13.72 [1.27]	1	2370 [1118]	99 [2807]	180 [81.6]	190 [86.2]	
30	1-60-208/230	14.6/14.6	67	0.8	20/20	25/25	30/30	16.39 [1.52]	1	2800 [1321]	115 [3260]	210 [95.3]	222 [100.7]	
36	1-60-208/230	18/18	83	1.2	24/24	30/30	40/40	21.85 [2.03]	1	3575 [1687]	134 [3799]	224 [101.6]	236 [107.0]	
42	1-60-208/230	19.2/19.2	105	1.2	26/26	35/35	40/40	21.85 [2.03]	1	3575 [1687]	150 [4252]	214 [97.1]	226 [102.5]	
48	1-60-208/230	26.1/26.1	137	1.2	34/34	45/45	50/50	21.85 [2.03]	1	3575 [1687]	154 [4366]	220 [99.8]	232 [105.2]	
60	1-60-208/230	25.3/25.3	150	1.2	33/33	40/40	50/50	21.85 [2.03]	2	3365 [1588]	256 [7258]	283 [128.4]	295 [133.8]	

NOTES:

① 20 Fins per inch.

Electrical and Physical Data: Three Phase

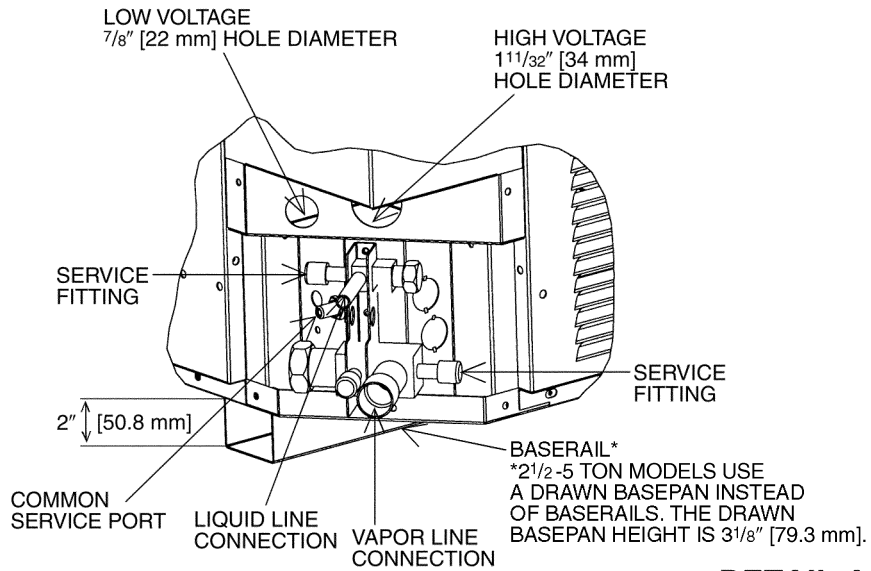
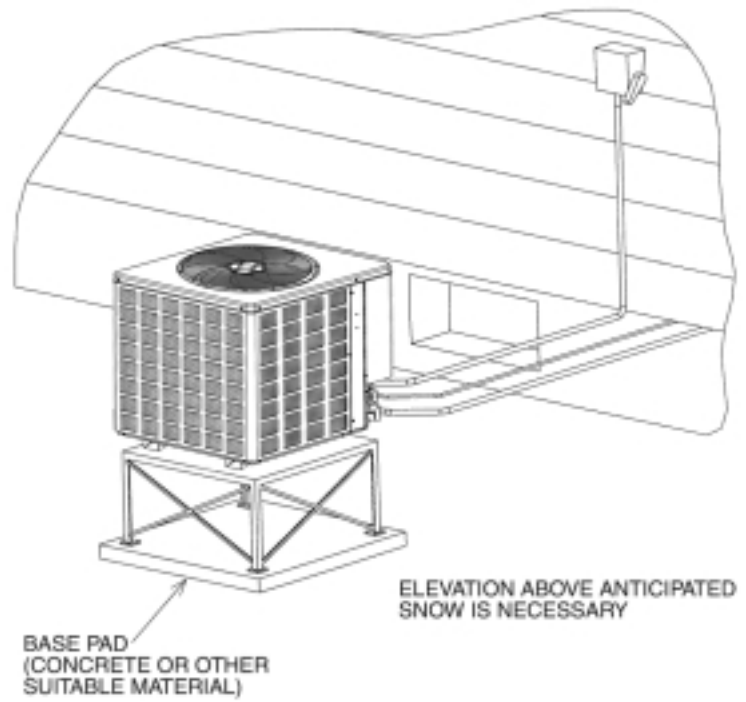
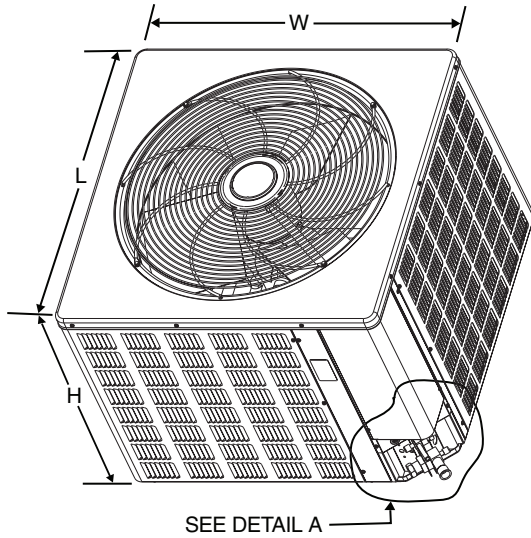
Model Number TZPA	ELECTRICAL							PHYSICAL						
	Phase Frequency (Hz) Voltage (Volts)	Compressor		Fan Motor Full Load Amperes (FLA)	Minimum Circuit Ampacity Amperes	Fuse or HACR Circuit Breaker		Outdoor Coil			Refrig. Per Circuit Oz. [g]	Weight		
		Rated Load Amperes (RLA)	Locked Rotor Amperes (LRA)			Minimum Amperes	Maximum Amperes	Face Area① Sq. Ft. [m²]	No. Rows	CFM [L/s]		Net Lbs. [kg]	Shipping Lbs. [kg]	
36-CA	3-60-208/230	11.5/11.5	77	1.2	16/16	20/20	25/25	11.06 [1.03]	1	1700 [802]	81 [2296]	142 [64.4]	150 [68.0]	
36-DA	3-60-460	45	5.7	0.6	8	15	15	21.85 [2.03]	1	3575 [1687]	134 [3799]	224 [101.6]	236 [107.0]	
42-CA	3-60-208/230	12.2/12.2	95	1.2	17/17	20/20	25/25	21.85 [2.03]	1	3575 [1687]	150 [4252]	214 [97.1]	226 [102.5]	
42-DA	3-60-460	6.4	45	0.6	9	15	15	21.85 [2.03]	1	3575 [1687]	150 [4252]	214 [97.1]	226 [102.5]	
48-CA	3-60-208/230	20/20	115	1.2	27/27	35/35	45/45	21.85 [2.03]	1	3575 [1687]	154 [4366]	220 [99.8]	232 [105.2]	
48-DA	3-60-460	10	50	0.6	14	20	20	21.85 [2.03]	1	3575 [1687]	154 [4366]	220 [99.8]	232 [105.2]	
48-YA	3-60-575	7.1	40	0.5	10	15	15	21.85 [2.03]	1	3575 [1687]	154 [4366]	220 [99.8]	232 [105.2]	
60-CA	3-60-208/230	17.3/17.3	123	1.2	23/23	30/30	40/40	21.85 [2.03]	2	3365 [1588]	256 [7258]	283 [128.4]	295 [133.8]	
60-DA	3-60-460	8.4	62	0.6	12	15	15	21.85 [2.03]	2	3365 [1588]	256 [7258]	283 [128.4]	295 [133.8]	
60-YA	3-60-575	7.1	53	0.5	10	15	15	21.85 [2.03]	2	3365 [1588]	256 [7258]	283 [128.4]	295 [133.8]	

NOTES:

① 20 Fins per inch.

[] Designates Metric Conversions

Unit Dimensions



DETAIL A

Model Number TZPA	Height "H" (Inches) [mm]	Length "L" (Inches) [mm]	Width "W" (Inches) [mm]
18	26 ¹ / ₄ [666.75]	23 ⁵ / ₈ [600.07]	23 ⁵ / ₈ [600.07]
24	26 ¹ / ₄ [666.75]	27 ⁵ / ₈ [701.67]	27 ⁵ / ₈ [701.67]
30	27 ³ / ₈ [695.33]	31 ⁵ / ₈ [803.27]	31 ⁵ / ₈ [803.27]
36/42/48/60	35 ³ / ₈ [898.53]	31 ⁵ / ₈ [803.27]	31 ⁵ / ₈ [803.27]

[] Designates Metric Conversions

Heat Pump Refrigerant Line Size Information

System Capacity	Liquid Line Connection Size (Inch I.D.) [mm]	Line Size (Inch O.D.) [mm]	Liquid Line Size (R-22) Outdoor Unit Above or Below Indoor Coil (Heat Pumps Only)					
			Total Equivalent Length—Feet [m]					
			25 [7.62]	50 [15.24]	75 [22.86]	100 [30.48]	125 [38.10]	150 [45.72]
			Maximum Vertical Separation—Feet [m]					
1 1/2 Ton	3/8" [9.53]	1/4 [6.35]	21 [6.40]	8 [2.44]	N/A	N/A	N/A	N/A
		5/16 [7.94]	25 [7.62]	27 [8.23]	24 [7.32]	21 [6.40]	17 [5.18]	14 [4.27]
		3/8* [9.53]	25 [7.62]	40 [12.19]	39 [11.89]	38 [11.58]	37 [11.28]	35 [10.67]
2 Ton	3/8" [9.53]	1/4 [6.35]	16 [4.88]	N/A	N/A	N/A	N/A	N/A
		5/16 [7.94]	25 [7.62]	26 [7.92]	21 [6.40]	15 [4.57]	10 [3.05]	5 [1.52]
		3/8* [9.53]	25 [7.62]	38 [11.58]	36 [10.97]	35 [10.67]	33 [10.06]	31 [9.45]
2 1/2 Ton	3/8" [9.53]	1/4 [6.35]	0	N/A	N/A	N/A	N/A	N/A
		5/16 [7.94]	25 [7.62]	17 [5.18]	8 [2.44]	0	N/A	N/A
		3/8* [9.53]	25 [7.62]	37 [11.28]	34 [10.36]	31 [9.45]	29 [8.84]	26 [7.92]
3 Ton	3/8" [9.53]	5/16 [7.94]	25 [7.62]	15 [4.57]	4 [1.22]	N/A	N/A	N/A
		3/8* [9.53]	25 [7.62]	30 [9.14]	26 [7.92]	23 [7.01]	19 [5.79]	16 [4.88]
3 1/2 Ton	3/8" [9.53]	5/16 [7.94]	25 [7.62]	17 [5.18]	2 [0.61]	N/A	N/A	N/A
		3/8* [9.53]	25 [7.62]	37 [11.28]	32 [9.75]	28 [8.53]	23 [7.01]	18 [5.49]
4 Ton	3/8" [9.53]	3/8* [9.53]	25 [7.62]	33 [10.06]	27 [8.23]	21 [6.40]	15 [4.57]	9 [2.74]
		1/2 [12.7]	25 [7.62]	43 [13.11]	42 [12.80]	40 [12.19]	39 [11.89]	38 [11.58]
5 Ton	3/8" [9.53]	3/8* [9.53]	25 [7.62]	25 [7.62]	17 [5.18]	8 [2.44]	0	N/A
		1/2 [12.7]	25 [7.62]	39 [11.89]	37 [11.28]	36 [10.97]	34 [10.36]	32 [9.75]

NOTES:

*Standard line size

N/A = Application not recommended.

Suction Line Length/Size versus Capacity Multiplier (R-22)								
Unit Size		1 1/2 Ton	2 Ton	2 1/2 Ton	3 Ton	3 1/2 Ton	4 Ton	5 Ton
Suction Line Connection Size		3/4" [19.05] I.D.			7/8" [22.23] I.D.			
Suction Line Run—Feet [m]		5/8" [15.88 mm] O.D. Opt. 3/4" [19.05 mm] O.D. Std.*	5/8" [15.88 mm] O.D. Opt. 3/4" [19.05 mm] O.D. Std.* 7/8" [22.23 mm] O.D. Opt.		3/4" [19.05 mm] O.D. Opt. 7/8" [22.23 mm] O.D. Std.*	3/4" [19.05 mm] O.D. Opt. 7/8" [22.23 mm] O.D. Std.* 1 1/8" [28.58 mm] O.D. Opt.	7/8" [22.23 mm] O.D. Opt.	1 1/8" [28.58 mm] O.D. Std.*
25' [7.62]	Optional	.99	.99	.98	.99	.99	.99	.99
	Standard	1.00	1.00	1.00	1.00	1.00	1.00	1.00
	Optional	—	1.00	1.00	—	1.00	—	—
50' [15.24]	Optional	.97	.96	.96	.98	.97	.98	.97
	Standard	.99	.99	.98	.99	.98	.99	.99
	Optional	—	.99	.99	—	1.00	—	—
100' [30.48]	Optional	.94	.92	.94	.95	.93	.95	.95
	Standard	.96	.96	.96	.96	.96	.98	.98
	Optional	—	.97	.97	—	.98	—	—
150' [45.72]	Optional	.90	.89	.92	.93	.92	.93	.93
	Standard	.93	.93	.93	.94	.94	.96	.96
	Optional	—	.95	.95	—	.96	—	—

NOTES:

*Standard line size

N/A = Line size not recommended due to inadequate oil return.

[] Designates Metric Conversions

BEFORE PURCHASING THIS APPLIANCE, READ IMPORTANT ENERGY COST AND EFFICIENCY INFORMATION AVAILABLE FROM YOUR RETAILER.

GENERAL TERMS OF LIMITED WARRANTY

Thermal Zone® will furnish a replacement for any part of this product which fails in normal use and service within the applicable periods stated, in accordance with the terms of the limited warranty.

Condenser Coil leaks caused by	
factory defects	Five (5) Years
Compressor	Five (5) Years
Any Other Part.....	Five (5) Years

For Complete Details of the Limited Warranty, Including Applicable Terms and Conditions, See the Thermal Zone® Warranty Card.

Before proceeding with installation, refer to installation instructions packaged with each model, as well as complying with all Federal, State, Provincial, and Local codes, regulations, and practices.

"In keeping with its policy of continuous progress and product improvement, the right is reserved to make changes without notice."